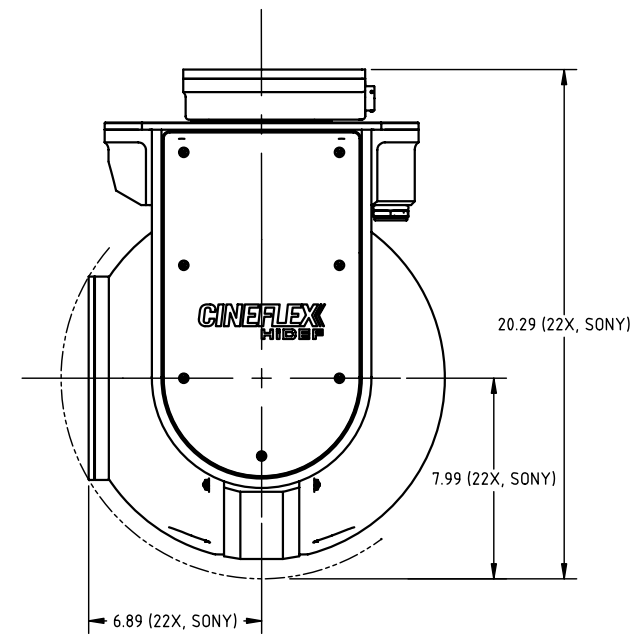
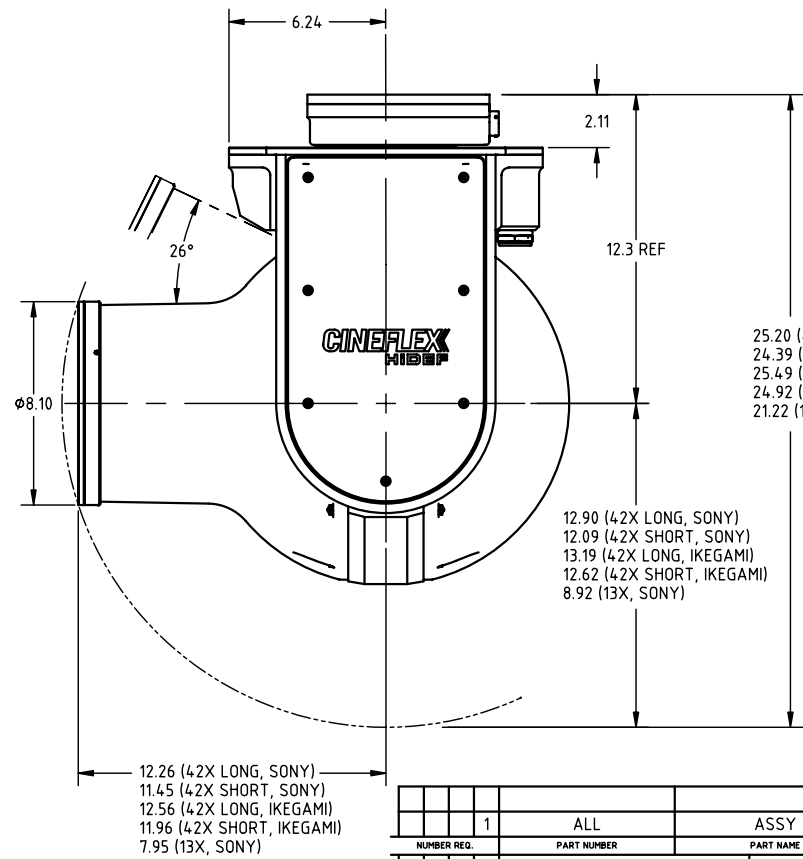
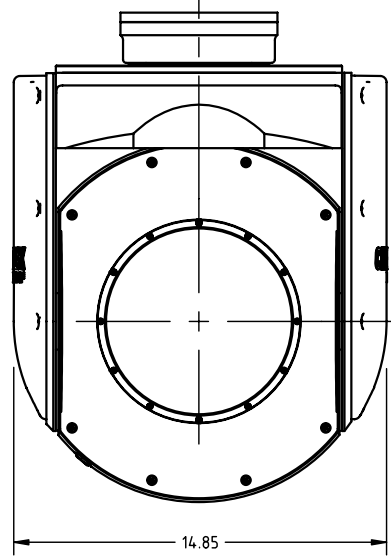
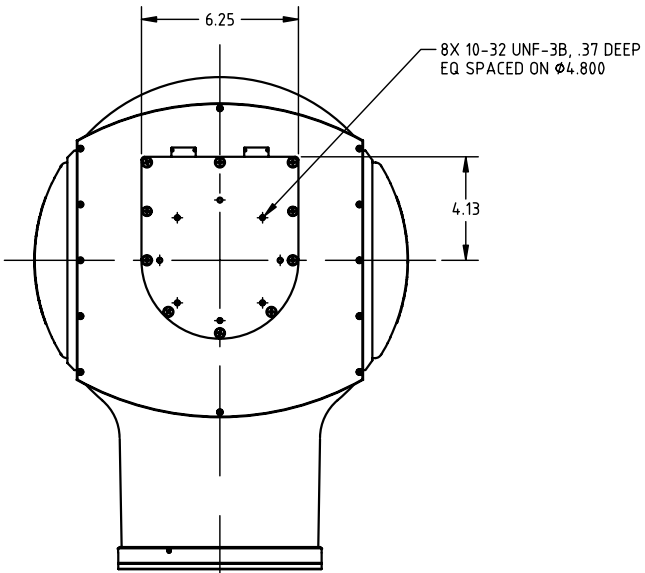


REV LTR	REVISED BY	DATE
A	STERBENZ	2-2-05
ORIGINAL RELEASE		



NUMBER REQ.	PART NUMBER	ASSY	PART NAME	MATERIAL DESCRIPTION	FINISH SPEC.	MATERIAL SPEC.
1	ALL					
	UNLESS OTHERWISE SPECIFIED DIMENSIONS IN INCHES PER ANSI Y14.5				PROJ. NO. V14	SCALE 1:4
	TOLERANCES LINEAR .XX ± .010 .XXX ± .005 ANGULAR X° ± .5°			 PROPRIETARY INFORMATION INFORMATION DISCLOSED IN THIS DOCUMENT MAY NOT BE REPRODUCED, USED, OR DISCLOSED TO ANYONE WITHOUT WRITTEN AUTHORIZATION FROM CINEFLEX	DRWN STERBENZ	DATE 2-2-05
	MACHINED FINISHES BREAK ALL SHARP EDGES ON MACHINED PARTS APPROX. R.015 OR .015 X 45°				13025 GRASS VALLEY AVE. UNIT #2 GRASS VALLEY, CA 95945 PHONE: 530-477-5862 FAX: 530-477-5876	CHK'D
	TITLE V14 GIMBAL ASSY				APPRD	
	NEXT ASSEMBLY				NUMBER	REV. A